

For Security & Surveillance

12X 10~125mm

2Mega **P**ixel

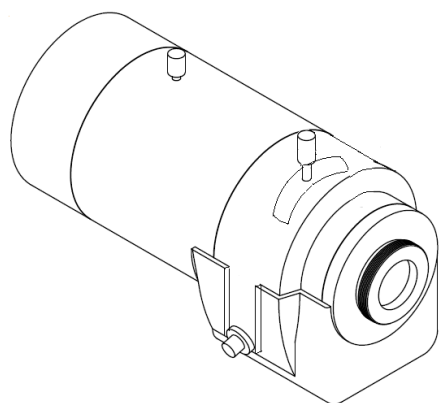
2 百萬畫像素

IRcorrected

紅外線色差補

High **Q**uality

高品質



Main Features :

- 2Megapixel design with DC auto iris.
2 百萬畫像素自動光圈鏡頭
- IR corrected for superior night sensitivity.
準確的夜間紅外線色差補償
- No focus shift from day to night.
日夜不失焦
- High accuracy lens adopted, achieving the high quality image.
採用高精度鏡片 · 實現高品質影像
- All glass elements.
採用全玻璃鏡組
- 1/2.7" Format with 10-125mm vari-focal range.
1/2.7"可變焦距 10-125mm

PRODUCT NAME (型號)	V10125D-162MP	
FOCAL LENGTH (MM) (焦距)	(12X)10-125	
APERTURE RANGE (F) (光圈孔徑值域)	1.6~360	
MOUNT (鏡頭座)	CS	
IMAGER SIZE (攝像元件尺寸)	1/2.7"	
ANGLE OF VIEW(HOR)(角度)	35.7°~3.1°	
BACK FOCAL LENGTH(MM) (後焦距)	7.5	
COIL RESISTANCE (線圈電阻)	DRIVE COIL (驅動線圈) 190Ω DAMPING COIL (阻尼線圈)500Ω	
M.O.D. (M)(近攝距離)	0.5	
WEIGHT (G)(重量)		
OPERATION (操作方式)	FOCUS(焦距)	MANUAL (手動)
	ZOOM(變焦)	MANUAL (手動)
	IRIS(光圈)	AUTO IRIS (DC) (自動光圈)

