

**For Security & Surveillance**

**10X 6~60mm**

**IR<sub>corrected</sub>**

紅外線色差補償

**Mega Pixel**

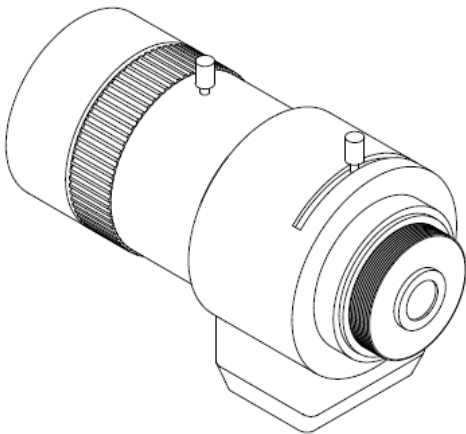
2 百萬畫像素

**High Quality**

高品質

**All Glass**

全玻璃



Main Features :

- ◇ Megapixel design with DC auto iris.  
2 百萬畫像素自動光圈鏡頭
- ◇ High performance design with DC auto iris.  
高性能設計手動光圈鏡頭
- ◇ High accuracy lens adopted, achieving the high quality image.  
採用高精度鏡片 · 實現高品質影像
- ◇ IR corrected for superior night sensitivity.  
準確的夜間紅外線色差補償
- ◇ All glass elements.  
採用全玻璃鏡組
- ◇ 1/2.7" Format with 6-60mm vari-focal range.  
1/2.7"可變焦距 6-60mm

PRODUCT NAME (型號)		V660D-142MPA
FOCAL LENGTH (MM) (焦距)		(10X) 6-60
APERTURE RANGE (F) (光圈孔徑值域)		1.4~360
MOUNT (鏡頭座)		CS
IMAGER SIZE (攝像元件尺寸)		1/2.7"
ANGLE OF VIEW (HOR) (角度)		55° - 5.5°
BACK FOCAL LENGTH (MM) (後焦距)		7.74
COIL RESISTANCE (線圈電阻)		DRIVE COIL (驅動線圈) 190Ω DAMPING COIL (阻尼線圈) 500Ω
M.O.D. (M) (近攝距離)		1.2
WEIGHT (G) (重量)		-
OPERATION (操作方式)	FOCUS (焦距)	MANUAL (手動)
	ZOOM (變焦)	MANUAL (手動)
	IRIS (光圈)	AUTO IRIS (DC) (自動光圈)

