

For Security & Surveillance

12X 5~60mm

IR_{corrected}

紅外線色差補償

3M_{ega} P_{ixel}

3 百萬畫像素

H_{igh} Q_{uality}

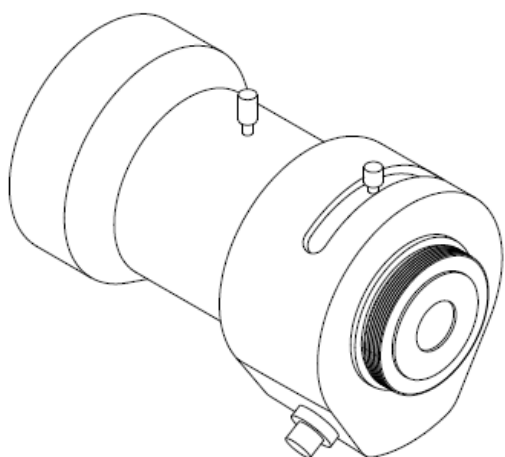
高品質

A_{ll} G_{lass}

全玻璃

Main Features :

- ◇ 3 Megapixel design with DC auto iris.
3 百萬畫像素手動光圈鏡頭
- ◇ High performance design with manual iris.
高性能設計手動光圈鏡頭
- ◇ High accuracy lens adopted, achieving the high quality image.
採用高精度鏡片 · 實現高品質影像
- ◇ IR corrected for superior night sensitivity.
準確的夜間紅外線色差補償
- ◇ All glass elements.
採用全玻璃鏡組
- ◇ 1/2.7" Format with 5-60mm vari-focal range.
1/2.7"可變焦距 5-60mm



PRODUCT NAME (型號)		V560M-143MPR
FOCAL LENGTH (MM) (焦距)		(12X) 5-60
APERTURE RANGE (F) (光圈孔徑值域)		1.4~C
MOUNT (鏡頭座)		CS
IMAGER SIZE (攝像元件尺寸)		1/2.7"
ANGLE OF VIEW (HOR) (角度)		51°~6.1°
BACK FOCAL LENGTH (MM) (後焦距)		8.1
COIL RESISTANCE (線圈電阻)		-
M.O.D. (M) (近攝距離)		1.5
WEIGHT (G) (重量)		-
OPERATION (操作方式)	FOCUS (焦距)	MANUAL (手動)
	ZOOM (變焦)	MANUAL (手動)
	IRIS (光圈)	MANUAL IRIS (手動光圈)

